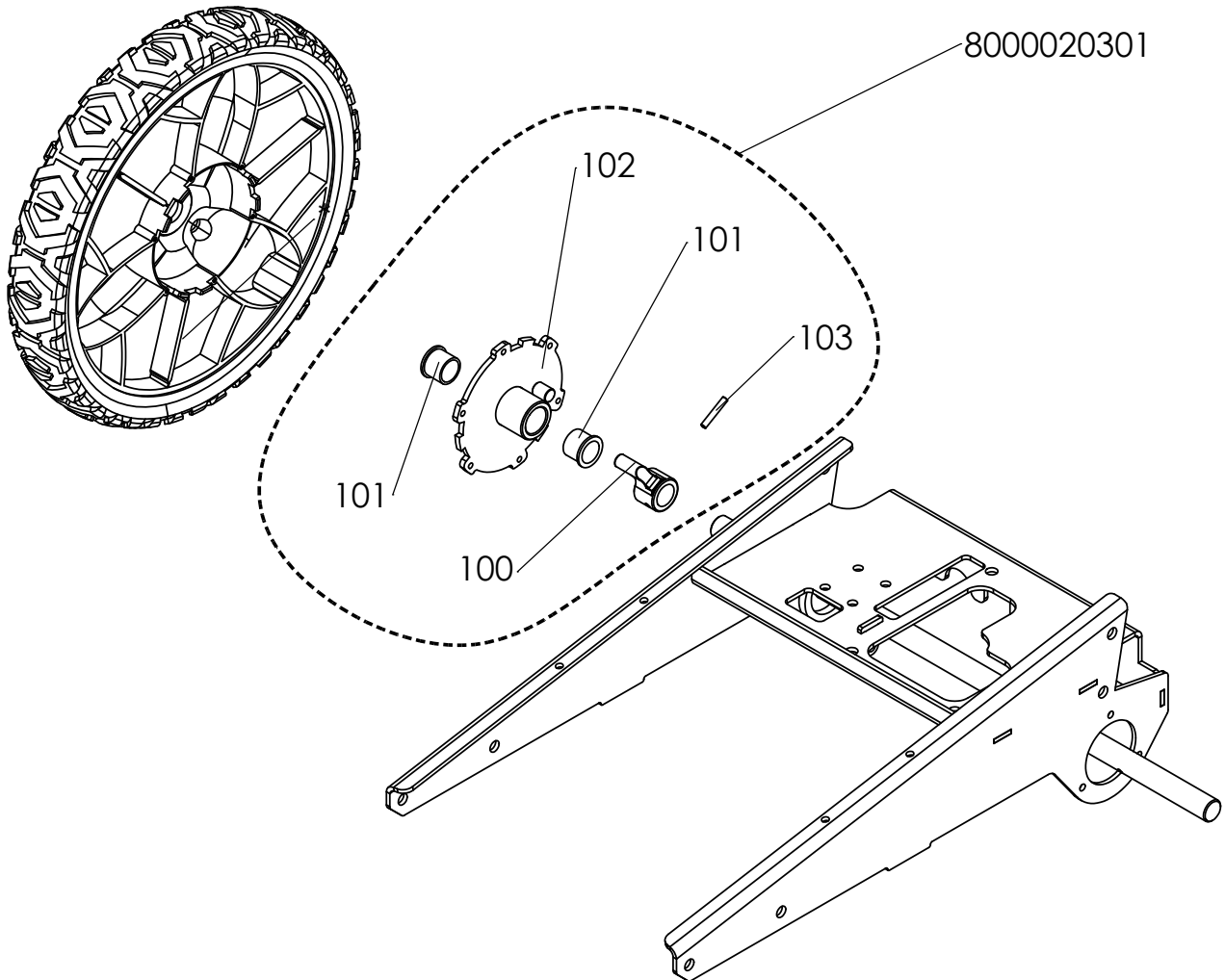


Pièces de rechange Spare parts list

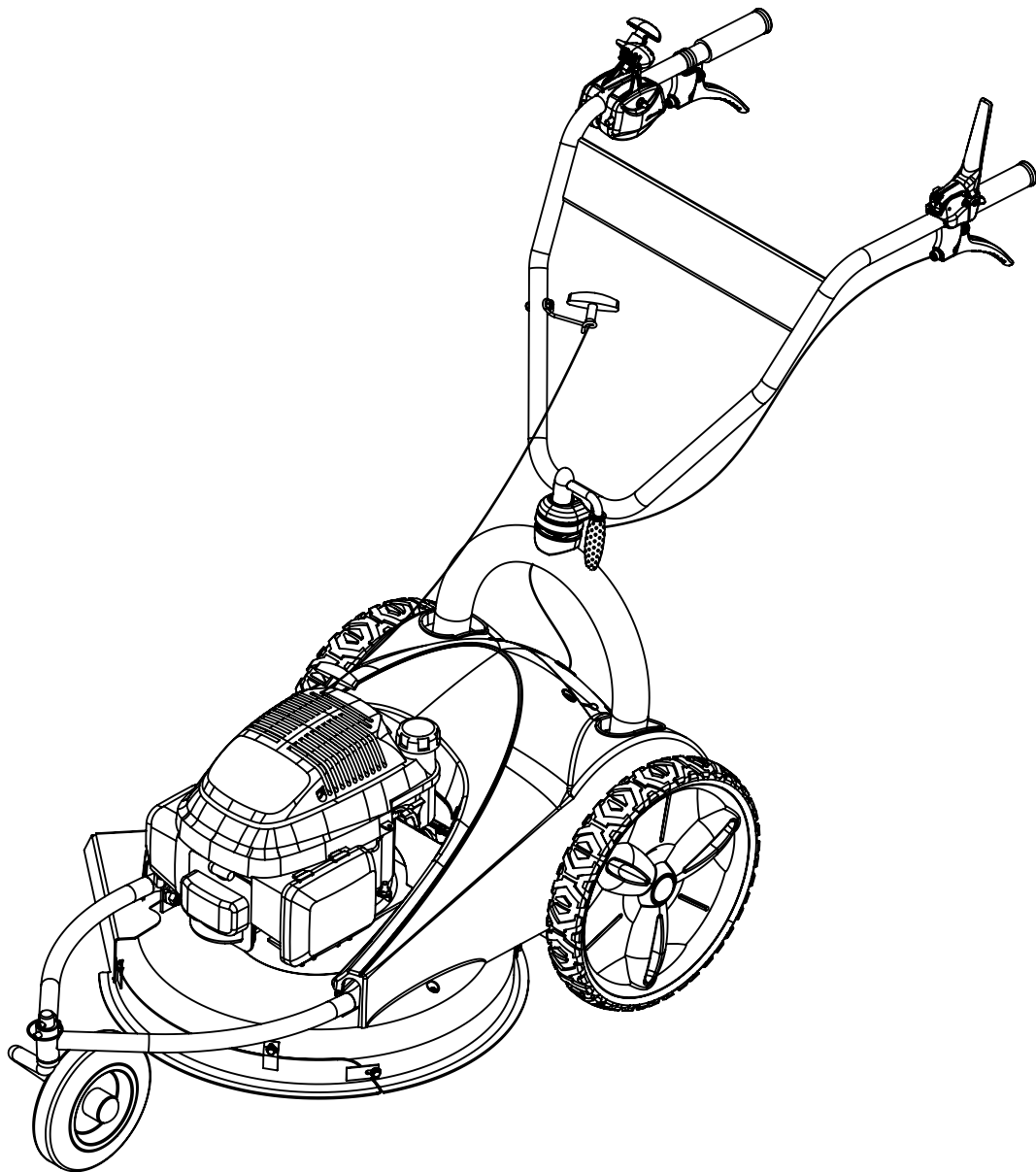
KIT MONTAGNE ROUES E51 PRO V2



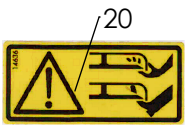
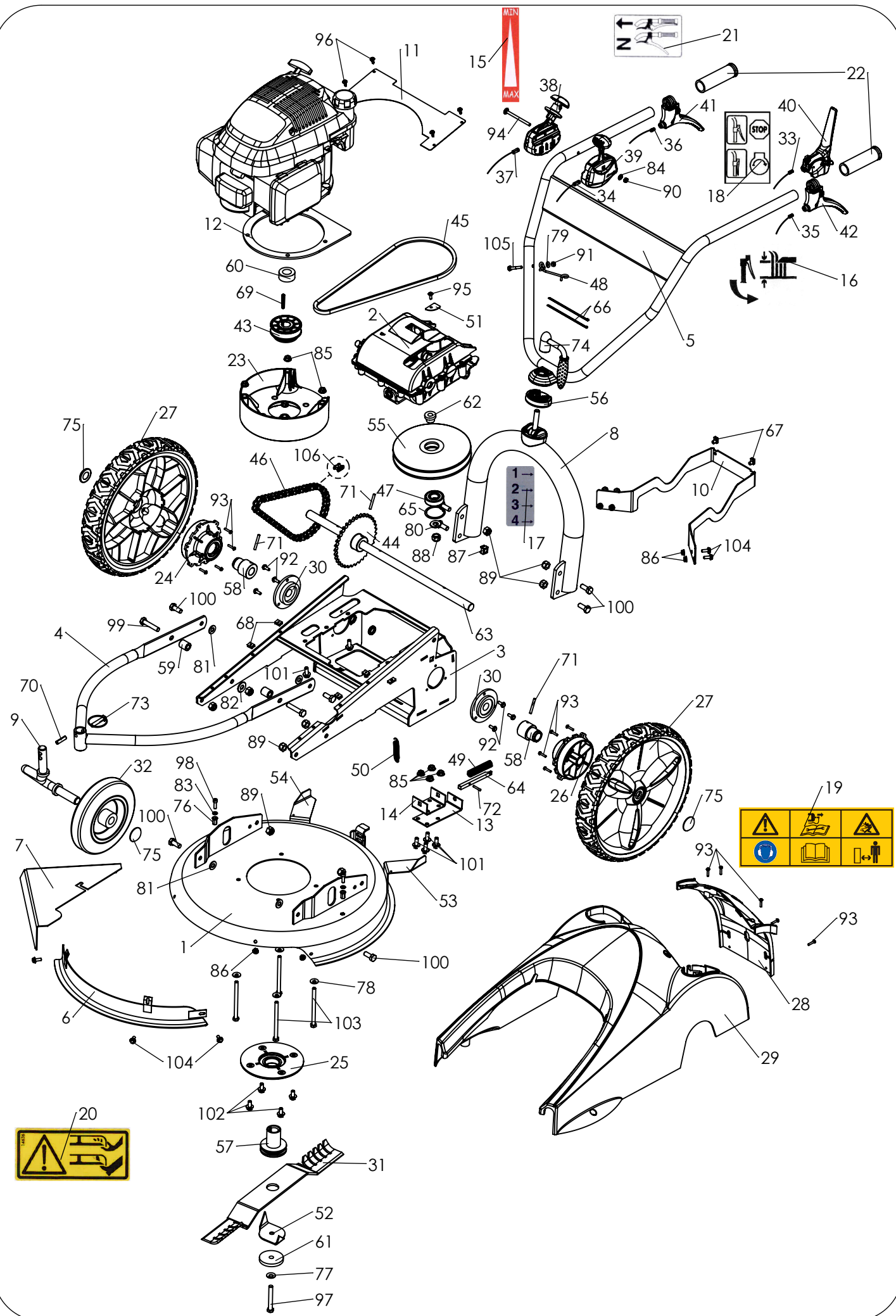
Rep N°	Ref.	Designation	Description	Qte
100	0302030013	Moyeu de roue	Wheel hub	2
101	0306010023	Bague bronze Ø20	Bronze ring Ø20mm	4
102	4002030201	Palier fixe E51 Pro V2	Fixed bearing E51 Pro V2	2
103	0301020004	Goupille Ø5x30	Pin Ø5x30	2

Pièces de rechange Spare parts list

4000**08**



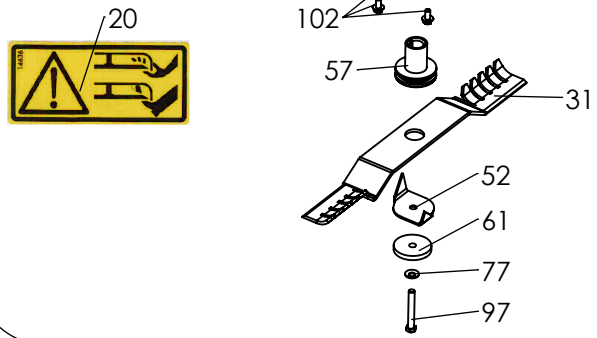
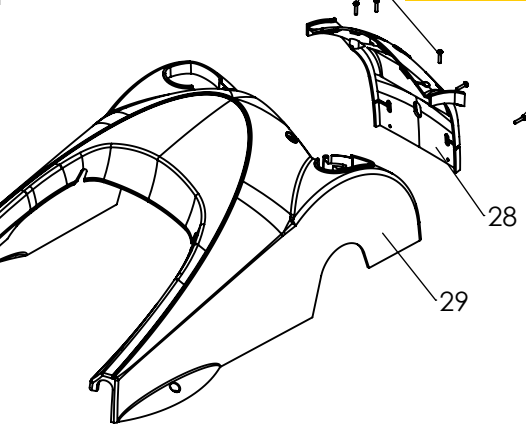
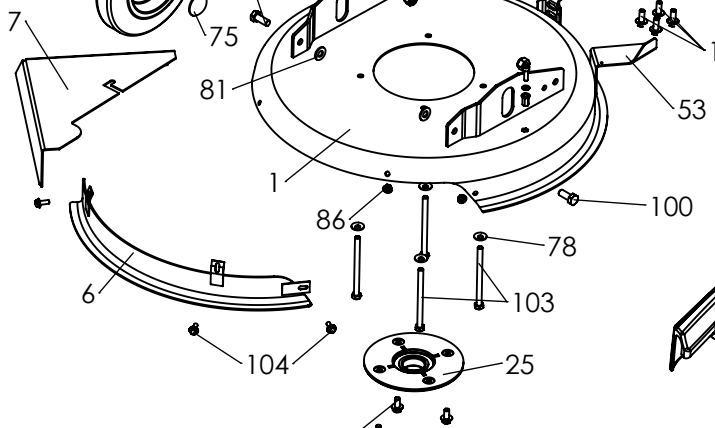
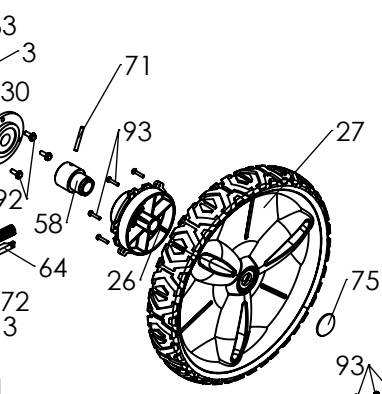
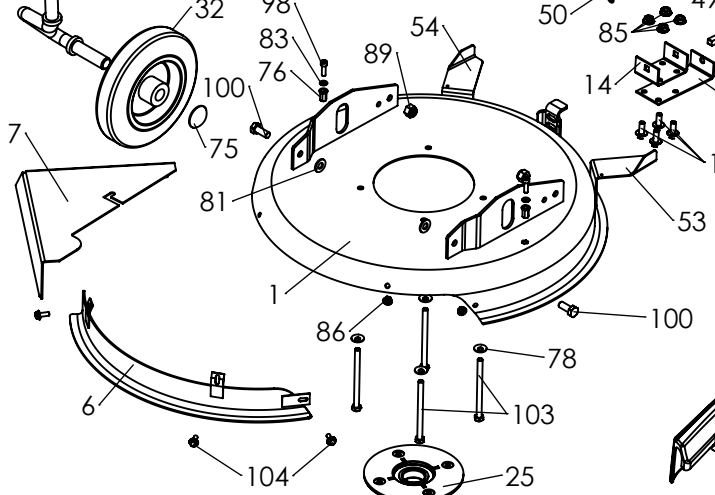
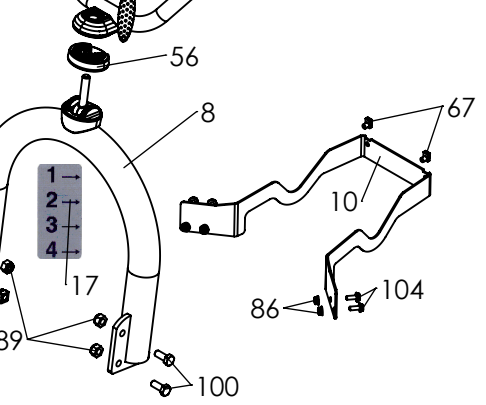
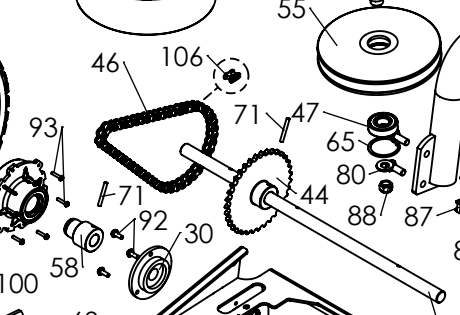
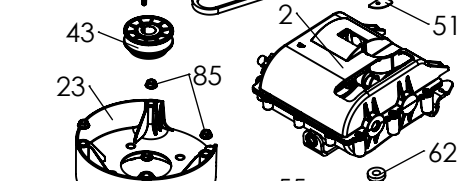
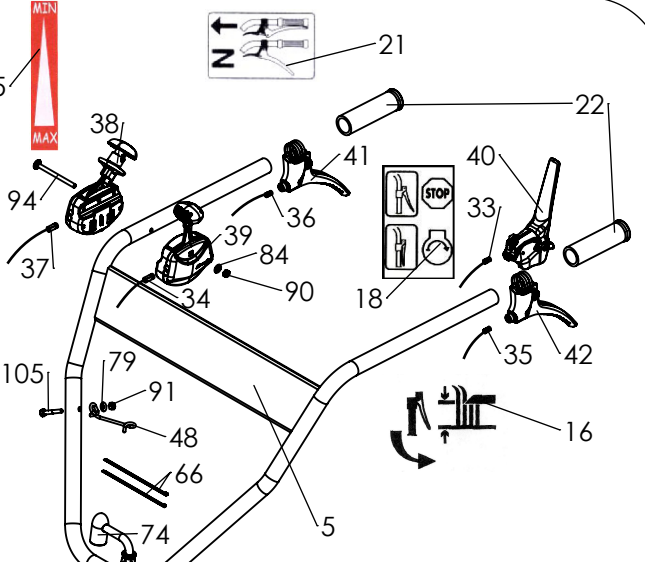
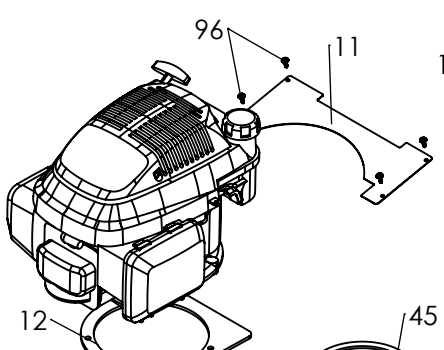
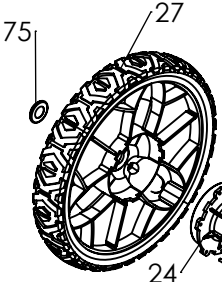
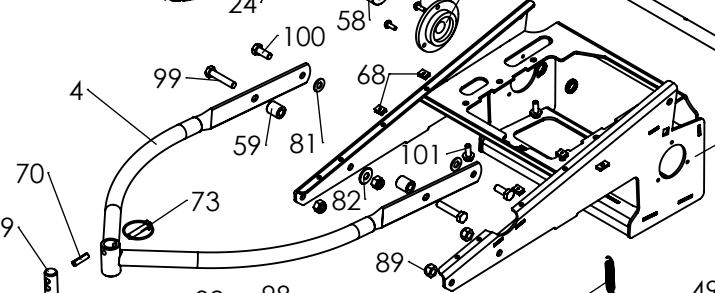
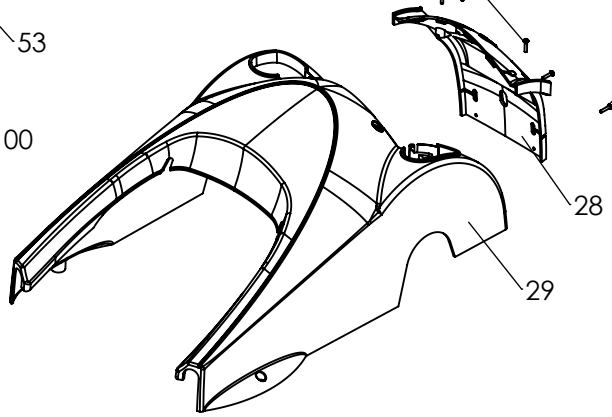
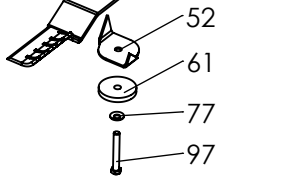
*DEBROUSSAILLEUSE
BRUSHCUTTER*



20

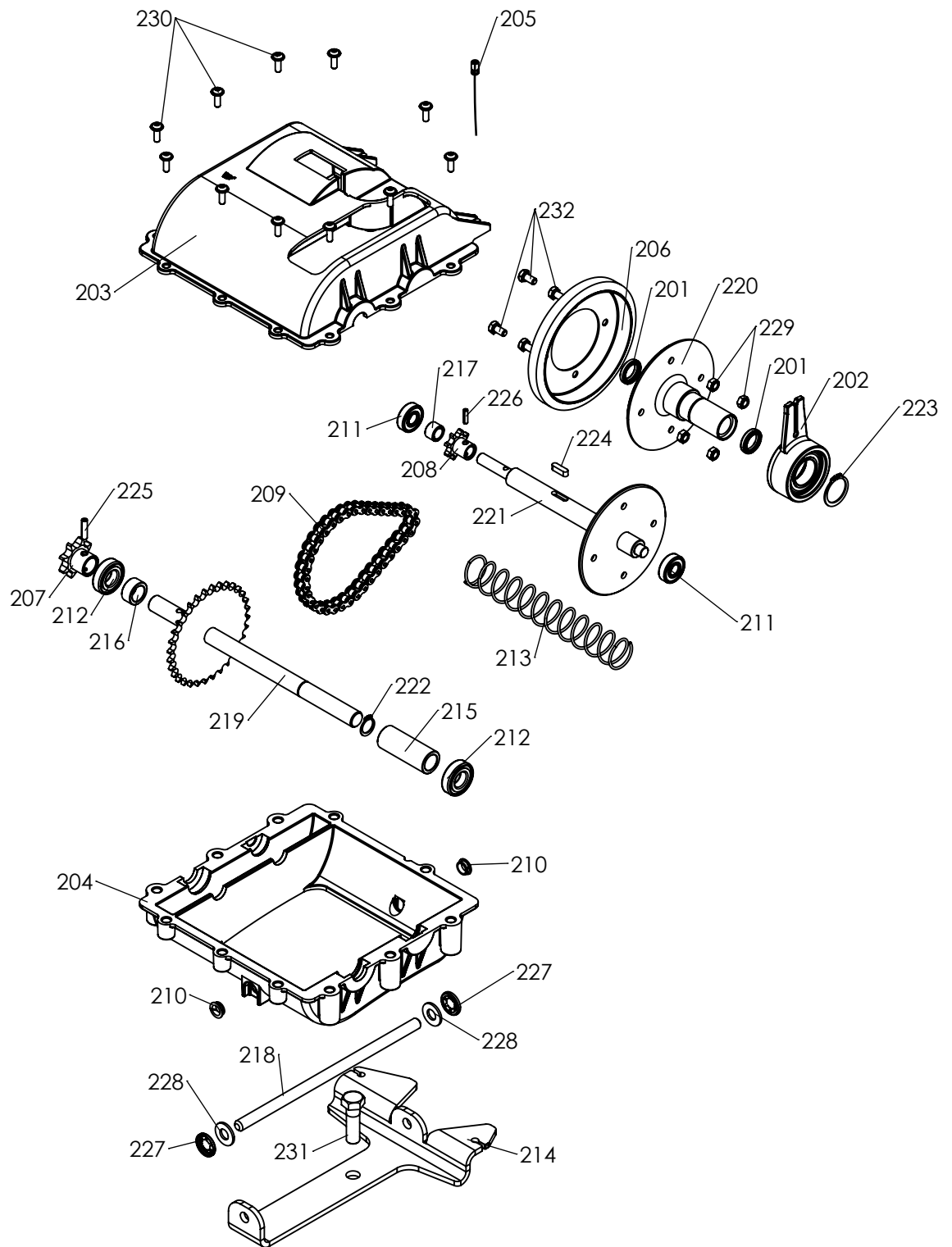
19

93



Rep N°	Ref.	Désignation	Description	Moteur Engine	Qte
1	4002080504	COUPELLE XTREM BVM Gris (8120)	Grey (8120) Xtrem BVM blade guard		1
2	4001000002	TRANSMISSION MODULAIRE MAV VAR	Modular Transmission MAV MAr		1
3	4002080303	CHASSIS ARR XTREM BVM NOIR RAL9005	Black RAL9005 Xtrem BVM rear frame		1
4	4002030306	CHASSIS AVANT XTREM NOIR RAL9005	Black RAL9005 Xtrem front frame		1
4	4002030506	CHASSIS AVANT XTREM Gris (8120)	Grey (8120) Xtrem front frame		1
5	4002030303	GUIDON E51ProV2 Noir	Black Handlebar E51 Pro V2		1
5	4002031703	GUIDON E51ProV2 xJaune Ral1028x	Yellow RAL 1028 Handelbar E51 Pro V2		1
6	4002000505	DEFLECTEUR AVANT E51 Gris (8120)	Grey (8120) Front deflector		1
7	4002000504	DEFLECTEUR LATERAL E51 Gris (8120)	Grey (8120) Side deflector		1
8	4002080304	ARCEAU XTREM BVM NOIR RAL9005	Black RAL9005 Xtrem BVM tube fram		1
9	4002000304	SUPP ROUE AVANT E51-03 Noir RAL 9005	Black RAL 9005 Support front weel		1
10	4002080310	TOLE SUPPORT CAPOT XTREM BVM	Support cover		1
11	4002070303	TOLE PROT COURROIE 850SERIES	850 series Cover belt	850 series	1
11	4002080312	TOLE PROT COUR GCV XTREM BVM NOIR RAL9005	Black RAL 9005 GCV Xtrem BVM cover belt	GCV / EA190V	1
12	4002080311	REHAUSSE MOTEUR XTREM BVM NOIR RAL9005	Black RAL9005 Xtrem BVM engine upstand	EA190V / 850 series	1
13	4002040104	SUPP VERROUILLAGE RELEVAGE ECO-03 NOIR	Support locking raising		1
14	4002000102	SUPP AXE RELEVAGEx51-03xBICHx	Locking pin support		1
15	0503010313	ETIQUETTE VITESSE BOITIER MOD	Speed variation label modular transmission		1
16	0503000055	ETIQ REGL HAUT COUP xFST-XTRMx	Height cutting label		1
17	0503000054	ETIQ ECH HAUT COUPE xPROV2x	Cutting setting label E51 Pro V2		1
18	0503000026	ETIQ MANETTE COUPE CIRCUIT	Engine brake label		1
19	0503000016	ETIQ "PRECAUTIONS EMPLOI"	"Safety instructions" label		1
20	0503000006	AUTO-COLLANT DANGER LAME 78 X	Label "danger sticker"		2
21	0503000002	AUTO-COLLANT EMBRAY DEBRAY M Av	Foward movement stricker		1
22	0341000037	POIGNEE PLASTIQUE DIAM 25 CB	HAND SIDE GRIP		2
23	0340030034	REHAUSSE MOTEUR XTREM-FIRST	Plastic engine raiser		1
24	0340030029	PALIER ROUE LIBRE DROIT E51	Right flange bearing for free wheel		1
25	0340030028	PALIER COUPELLE XTREM/FIRST	Flange bearing		1
26	0340030027	PALIER ROUE LIBRE GAUCHE E51	Left flange bearing for free wheel		1
27	0340030026	Roue E51 XTREM	Rear wheel		2
28	0340030021	TRAPPE DE VISITE XTREM ROUGE RAL3001	Red RAL 3001 inspection hatch		1
28	0340030023	TRAPPE DE VISITE XTREM ORANGE RAL2009	Orange RAL2009 inspection hatch		1
28	0340030025	TRAPPE DE VISITE XTREM BLEU RAL5010	Blue RAL 5010 inspection hatch		1
28	0340030037	TRAPPE DE VISITE XTREM ROUGE RAL3000	Red RAL 3000 inspection hatch		1
28	0340030039	TRAPPE DE VISITE XTREM JAUNE RAL1028	Yellow RAL1028 inspection hatch		1
29	0340030020	CAPOT MOTEUR XTREM ROUGE RAL3001	Red RAL 3001 engine bonnet		1
29	0340030022	CAPOT MOTEUR XTREM ORANGE RAL2009	Orange RAL2009 engine bonnet		1
29	0340030024	CAPOT MOTEUR XTREM BLEU RAL5010	Blue RAL 5010 engine bonnet		1
29	0340030036	CAPOT MOTEUR XTREM ROUGE RAL3000	Red RAL 3000 engine bonnet		1
29	0340030038	CAPOT MOTEUR XTREM JAUNE RAL1028	Yellow RAL 1028 engine bonnet		1
30	0340030013	PALIER ARBRE ROUE DIAM 20	Wheel flange bearing		2
31	0320020006	LAME LG 510 DEP 30 E51 PROv2	Blade		1
32	0309000009	ROUE CENTAURE 281 PEL 20	Front Wheel Ø200		1
33	0308050012	CABLE FREIN MOTEUR 1354/55 (manette LASC)	Engine brake cable 1354/55 (LASC lever)		1
34	0308040027	CABLE GAZ LG1440 C42 MANETTE GAZ START TOLE / LGU	Throttle cable Lg 1040mm stroke 30mm	GCV	1
34	0308040048	CABLE GAZ LG1635 C42 MANETTE SACCON	Throttle cable Lg 1635mm stroke 42mm	850 series	1
35	0308030007	CABLE REGL HAUTEUR XTREM TRANSMISSION MODULAIRE	Height setting cable		1
36	0308020048	CABLE EMBR LG1058 CF125 BOITIER MODULAIREx MANETTE LAB	Clutch cable lenght 1058mm stroke 125mm		1
37	0308010011	CABLE VARIATION VITESSE LG GAINÉ 1070 COUDE	Bent variation speed cable length 1070		1
38	0307020021	MANETTE VAR. VITESSE x LGK07FK40	Speed transition lever LGK07FK40		1
39	0307010028	LEVIER ACCELERATEUR LGU4R01R0	Universal throttle LGU4R01R0		1
40	0307010023	LEVIER FREIN MOTEUR LASC 05 R 00 Course 20 Guidon 25mm	Brake lever LASC Ø25 stroke 20mm		1
41	0307010021	LEVIER EMB LAB D7 B01 Course 30 Guidon D25mm	LEVER LAB D25 STROKE 30 Handlebar D25mm		1
42	0307010020	LEVIER EMB LAB C7 B01 Course 25 Guidon D25mm	LEVER LAB D25 STROKE 25 Handlebar D25mm		1
43	0306060014	POULIE MOTEUR VARIATRICE D22.2 FLASQUE MOBILE ALU	Variation motor pulley Ø22.2		1
44	0306050039	PIGNON 35 DTS 12.7 ALES 20mm	Sprpcket 35 teeth 12.7 Ø20mm		1
45	0306030055	COURROIE 6220MC AVX10 x 1000La	Belt AVX10 x 1000La		1
46	0306020025	CHAINE ISO 08B-1 51MAIL 12.7 OUVERTE+1 MCS+ATT RAPID LIVREE	Chain ISO 08B-1 pitch 12.7		1
47	0306010035	ROULEMENT 6204 DDU EMQV1	6204 DDU EMQV1 Ball-Bearing		1
48	0305030001	ACCROCHE LANCEUR xE51-03x	Starter Hook		1
49	0305020001	RESSORT CP 13.4x75 16/10	Locking spring		1
50	0305010004	RESSORT TR 12.2x75.2 18/10 GAL	Spring		2
51	0304000276	PLATINE CABLE TRANS MOD	Cable plate		1
52	0304000117	COUPE FILANDREUX E51ProV2	Stringy cutter		1
53	0304000116	Renfort Capot Gauche XTREM	Left carter holding sheet		1
54	0304000115	Renfort Capot Arr droit XTREM	Right carter holding sheet		1
55	0303010002	POULIE OSCILLANTE TRANS MOD	Oscillating pulley		1
56	0303000013	PIECE INTERM E51ProV2	Handlebar detent quadrant		1

Rep N°	Ref.	Désignation	Description	Moteur Engine	Qte
57	0302030072	MOYEU LAME XTREM BVM	Xtrem10 Blade hub		1
58	0302030048	MOYEU ARBRE ROUE E51PROV2	Wheel hub		2
59	0302020049	ENTR. 20x10.5x23 xZN	Spacer 20 x 10.5 x 23		2
60	0302020046	ENTRETOISE 40x22x8 MOTEUR BS/EA190V	Spacer 40 x 22 x 8	850 series / EA190V	1
60	0302020110	ENTR. 40x22.3x17 Z	Spacer 40x22.3x17	GCV	1
61	0302020042	RONDELLE DE SERRAGE E 51	Blade washer		1
62	0302010104	AXE DE POULIE OSCILLANTE TRANSMISSION MODULAIRE	Oscillating pulley axle		1
63	0302010054	ARBRE ROUE E51ProV2	Wheel shaft E51 Pro V2		1
64	0302010030	AXE RELEVAGE xE51-03xBICHx	Locking pin		1
65	0301070006	CIRCLIP INTERIEUR 47 DIN472-47	Circlips Int. 47		1
66	0301060003	COLLIER POLYAM.3.6 X 140 NOIR	COLLAR		2
67	0301050002	CLIP EASY 4x4x9	Easy clip EJOT		2
68	0301050001	CLIPS PRESTOLE Z/VIS 4.2 EP 4	CLIPS 4.2		4
69	0301040001	CLAVETTE 4.76X4.76X 40 BTS DRO TOL h 9 - XC 48	KEY 4.76X4.76X40 DRO TOL h 9 - XC 48		1
70	0301020007	GOUPILLE mecanindus 8X30	Cotter-pin 8x30		1
71	0301020005	GOUPILLE HBK 5x40	Pin Ø5x40 HBK		3
72	0301020002	GOUPILLE HBK 4x24	Cotter-pin 4x24 HBK		1
73	0301010009	GOUPILLE CLIPS 8X42 ZING	Cotter-pin		1
74	0300801202	POIGNEE SERRAGE M12x125	Handlebar tightening lever		1
75	0300702001	ENJOLIVEUR DIAM 20 CAB 20/38	Trim stopper Ø20		3
76	0300600601	INSERT Bollhoff M6 Borgne <3mm	Insert M6		2
77	0300431001	RONDELLE CONTACT 10 BIC NFE 25-511	Elastic washer 10 Bic		1
78	0300430801	RONDELLE CONTACT M8 NF E 25511	CONTACT WASHER 8		4
79	0300430601	RONDELLE CONTACT 6 BIC NFE 25-511	CONTACT WASHER 6		1
80	0300401201	RONDELLE PLATE M 12X27X2.5 Z NFE 25513	PLATE WASHER M 12X27X2.5 Z NFE 25513		1
81	0300401002	RONDELLE PLATE M 10X22X2 Z NFE 27611	PLATE WASHER M 10X22X2 Z NFE 27611		4
82	0300401001	RONDELLE PLATE M 10X27X2 Z NFE 27611	PLATE WASHER M 10X27X2 Z NFE 27611		2
83	0300400603	RONDELLE PLATE M 6X12X1 Z	Washer M6x12x1.2z		2
84	0300400602	RONDELLE PLATE M 6X14X1,2 Z	PLATE WASHER M 6X14X1,2 Z NFEN 25513		1
85	0300260801	ECROU HM 8 ZEMB CR DIN 6923-8	NUT H M8 Z NOTCHED SHOULDER		8
86	0300260601	ECROU HM 6 ZEMB CR DIN 6923	NUT H M6 Z NOTCHED SHOULDER		7
87	0300231001	ECROU CAGE M10C 4811C	Caged nut M10 C 4811C		1
88	0300211201	ECROU FREIN M 12 Z DIN 985/8	BLOCKING NUT M 12 Z		1
89	0300211001	ECROU FREIN M 10 Z DIN 985/8	BLOCKING NUT M 10 Z		9
90	0300210602	ECROU FREIN M 6 Z DIN 985-8	BLOCKING NUT M 6 Z		1
91	0300200601	ECROU H.U. M 6 Z	Nut HM6 z		1
92	0300090602	VIS AUTOTAR TH A EMB 6 X 16 Z	Screw HM6x16 z Self-tapping		6
93	0300090403	VIS TORX WN 1452 K40x20	Screw WN 1452 K40x20 Torx		17
94	0300080605	VIS TRCC 6 X 55/20 Z Din603	Screw TRCC M6x55 z	EA190V	1
94	0300080612	VIS TRCC 6x80/20 Z DIN 603 CI 4.6	Screw TBCC M6x80/20 z	GCV / 850 series	1
95	0300080505	VIS MX TCBL TORX M5X16 Z	Screw Torx M5x15		1
96	0300080405	VIS TOLE TETE POELIER D11 POZI Cr 4.2X16 Z	SCREW POZI 4.2X16Z		4
97	0300060304	VIS 3/8 TH24 UNF LG 70 Z	Screw 3/8 TH24 UNF Lg70		1
98	0300020602	VIS CHC 6 X 20 Z	SCREW CHC M6x20z		2
99	0300011014	VIS H 6/8 10X50/26 Z DIN931	Screw H M10x50 z		2
100	0300011008	VIS H 10 X25 Z DIN 933/8/8	SCREW H M10x25 Z		8
101	0300010816	VIS H 8x20 Z EMB CR	SCREW H M8X20 Z NOTCHED SHOULDER CL 8.8		8
102	0300010815	VIS H 8x16 Z EMB CR DIN 6921 CL 6.8	SCREW H M8X16 Z NOTCHED SHOULDER CL 6.8		4
103	0300010804	VIS HM8x110/22Z ISO 4014 CL8.8	Screw HM 8x110 z	GCV/850series(x2)/EA190V	4
103	0300010845	VIS H 8x140/22 Z CL8.8 DIN 931 - ISO 4014	Screw HM 8x140 z	850 series(x1)	1
104	0300010609	VIS H 6x16 Z EMB CR DIN 6921	SCREW HM 6X16 Z NOTCHED SHOUL		7
105	0300010604	VIS H 6 X 35 Z NFE 24017 CL6.8	Screw HM6x35z		1
106	0001000378	ATTACHE RAPIDE 12.7 N 10.08B	Quick fastener (12.7)		1



Rep N°	Ref.	Désignation	Description	Qte
201	0343020004	JOINT A LEVRE 17X23X4/5 NBR TYPE WPK	Lip seal 17x23x4/5 NBR	2
202	0340030043	FOURCHETTE TRANSMISSION MODULAIRE	Modular transmission shift fork	1
203	0340030042	CARTER SUPERIEUR TRANSMISSION MODULAIRE	Modular transmission superior case	1
204	0340030041	CARTER INFERIEUR TRANSMISSION MODULAIRE	Modular transmission inferior case	1
205	0308020049	CABLE MAR LG40 CF100 BOITIER MODULAIRE	Clutch cable	1
206	0306060030	RONDELLE DE FRICTION SURMOULEE	Overmolded friction washer	1
207	0306050036	PIGNON 8 DENTS PAS 12.7	Sprocket 8 teeth pitch 12.7	1
208	0306050035	PIGNON 8 DENTS PAS 9.525	Sprocket 8 teeth pitch 9.525	1
209	0306020024	CHAINE ISO 06B-1 PAS 9.525 38 MAILLONS RSF	Chain ISO 06B-1 pitch 9.525 38 chain links	1
210	0306010036	BAGUE IGUS MCM 10-03	IGUS ring MCM 10-03	2
211	0306010034	ROULEMENT 6000 2RS 10x26x8	6000 2RS Ball bearing 10x26x8	2
212	0306010005	ROULEMENT 6002 2RS	Bearing ball 6002 2RS	2
213	0305020014	RESSORT VARIATION VITESSE TRANSMISSION MODULAIRE	Locking spring	1
214	0304000275	BALANCIER TRANS MOD	Modular transmission walking beam	1
215	0302020100	ENTR. 22x15x56.7 N	Spacer 22x15x56.7	1
216	0302020099	ENTRETOISE 22x15x10.6	Spacer 22x15x10.6	1
217	0302020097	ENTRETOISE 15x10.2x10	Spacer 15x10.2x10	1
218	0302010103	AXE BALANCIER TRANSMISSION MODULAIRE	Walking beam axle	1
219	0302010102	ARBRE SORTIE TRANS MOD	Output shaft	1
220	0302010101	MOYEU MAV TRANS MOD	Forward hub	1
221	0302010100	ARBRE VARIATION TRANS MOD	Speed variation shaft	1
222	0301070023	CIRCLIPS EXT. DE 15	External retaining ring 15	1
223	0301070011	CIRCLIPS EXT. DE 25	External retaining ring 25	1
224	0301040022	CLAVETTE 5x5x18 BTS ROND DIN 6885 FORME A	Key 5x5x18 DIN 6885 A	1
225	0301020015	GOUPILLE HBK 5X20 ISO 8748ST	Pin Ø5x20	1
226	0301020011	GOUPILLE HBK 4x14 ISO 8748ST	Pin Ø4x14 HBK	1
227	0300461001	RONDELLE STARLOCK Ø10	Starlock washer Ø10	2
228	0300401002	RONDELLE PLATE M 10X22X2 Z NFE 27611	PLATE WASHER M 10X22X2 Z	2
229	0300210602	ECROU FREIN M 6 Z DIN 985-8	BLOCKING NUT M 6 Z	4
230	0300080505	VIS MX TCBL TORX M5X16 Z	Screw Torx M5x16	11
231	0300011203	VIS H 12 X 40 Z DIN 933/8.8	Screw HM 12x40z	1
232	0300110606	VIS EMBASE WN7380 TORX M6x12 Z	COLLAR SCREW WN7380 TORX M6x12 Z	4